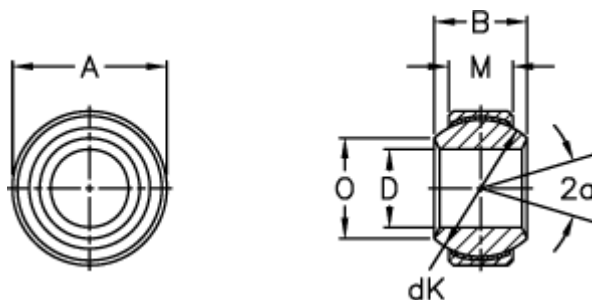


Article number: 03508110

Description: Fluro Rod end GE 110FW-2RS

Measures



A	= 180 0 -0,025	Tilt angle = 12
B	= 100	Weight = 9800
D	= 110 0 -0,020	
dK	= 160	
Dynamic load C (kN)	= 1790	
M	= 70	
O	= 124.8	
Static load C0 (kN)	= 3580	